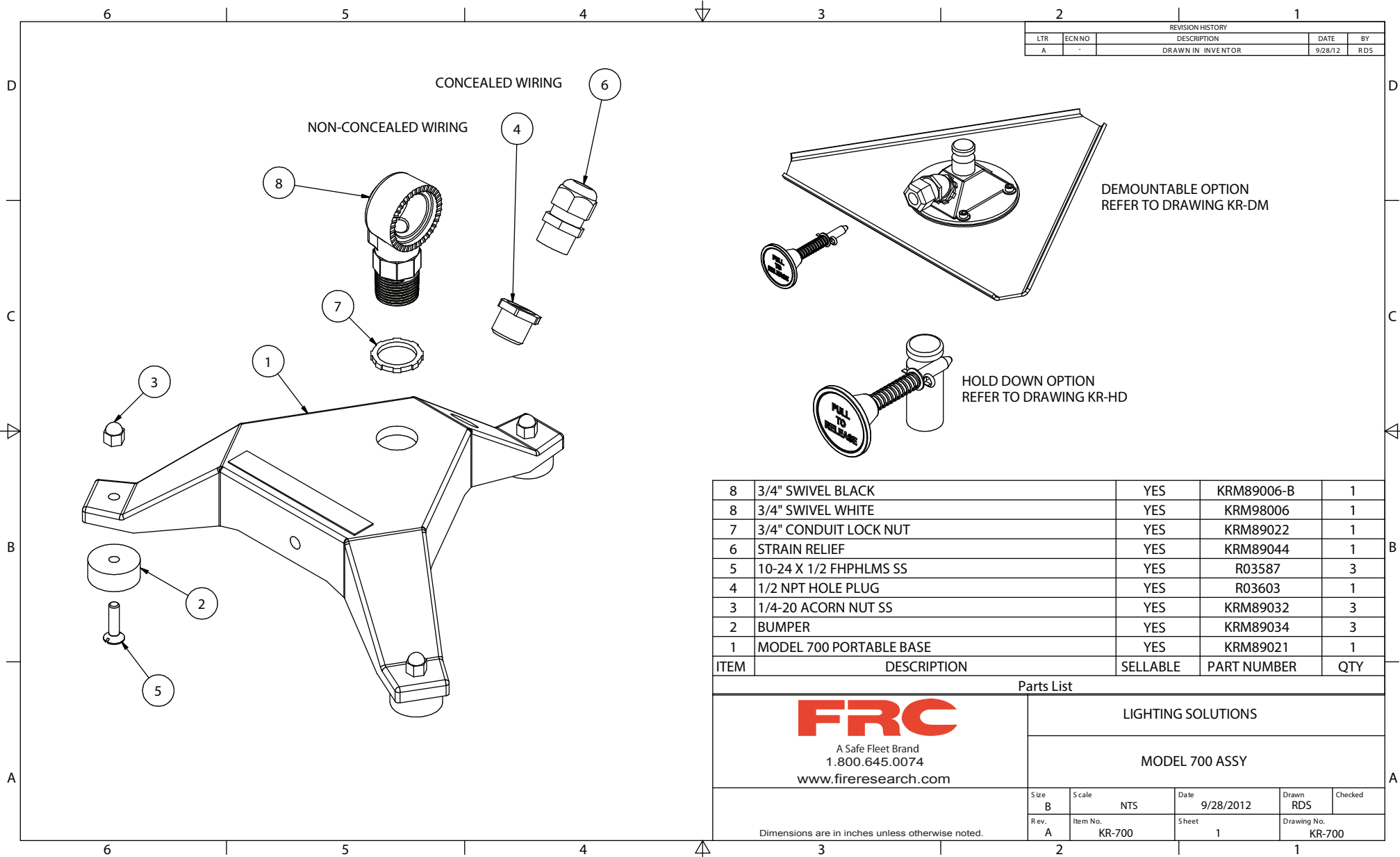



REVISION HISTORY				
LTR	ECN NO	DESCRIPTION	DATE	BY
A	-	DRAWN IN INVENTOR	9/28/12	RDS



8	3/4" SWIVEL BLACK	YES	KRM89006-B	1
8	3/4" SWIVEL WHITE	YES	KRM98006	1
7	3/4" CONDUIT LOCK NUT	YES	KRM89022	1
6	STRAIN RELIEF	YES	KRM89044	1
5	10-24 X 1/2 FHPHMS SS	YES	R03587	3
4	1/2 NPT HOLE PLUG	YES	R03603	1
3	1/4-20 ACORN NUT SS	YES	KRM89032	3
2	BUMPER	YES	KRM89034	3
1	MODEL 700 PORTABLE BASE	YES	KRM89021	1
ITEM	DESCRIPTION	SELLABLE	PART NUMBER	QTY

Parts List

 A Safe Fleet Brand 1.800.645.0074 www.fireresearch.com	LIGHTING SOLUTIONS			
	MODEL 700 ASSY			
Size B	Scale NTS	Date 9/28/2012	Drawn RDS	Checked
Rev. A	Item No. KR-700	Sheet 1	Drawing No. KR-700	

Dimensions are in inches unless otherwise noted.