



**LIGHTING
PRODUCTS**

FIRE RESEARCH CORPORATION
26 Southern Blvd., Nesconset, NY 11767
TEL 631.724.8888 FAX 631.360.9727
TOLL FREE 1.800.645.0074
www.fireresearch.com



MODEL LED3XX SERIES

SAFETY SUMMARY

FRC lighting products are engineered and manufactured with safety in mind. It is critical that FRC lights are installed, maintained, and operated correctly. Read and understand all instructions before installing, performing maintenance, or operating.

All components, equipment, and installation procedures shall conform to NFPA 1901, *Standard for Automotive Fire Apparatus* and NFPA 70 *National Electrical Code*.

General Safety Precautions

Do not stare directly at LEDs when power is on.

Ensure power is off prior to connecting or disconnecting wires/cables and plugs to a power source or performing maintenance.

Disconnect ground connection from battery marked '-' to avoid accidental short circuits before attempting to connect electrical wires.

Installation Safety Precautions

Connect the LED light to a 12 or 24 volt DC power source.

Ensure an appropriate sized circuit protection device is installed (circuit breaker or fuse). See Power Requirements chart below.

INSTALLATION INSTRUCTIONS (For all models except LED350)

Before mounting, check the identification label on the light for specific voltage and current requirements. Check that the length of the wiring is correct. Ensure the LED3XX is mounted so that the lens is focusing the light in the desired direction.

Note: Before drilling holes place the light in position to check for fit. Ensure that the light clears all obstructions.

1. To drill the appropriate mounting hole(s), measure and mark the mounting hole locations. **Refer to drawings on page 2 for the mounting hole dimensions of the light being installed.**
2. Mount the LED light by using the bolt(s) to fasten it to your apparatus, add the locking washer and then tighten the bolt(s).
3. All lights come with an 18 inch long cable, 18 AWG open leads. (Ensure the working voltage is 12/24 VDC and choose the corresponding 12/24 VDC relays.)

LED350 INSTALLATION INSTRUCTIONS

Before mounting, check the identification label on the light for specific voltage and current requirements. Check that the length of the wiring is correct.

Note: Before cutting your panel, make sure there is adequate clearance behind the panel to allow for the depth of the light. **Refer to drawings on page 2 for the dimensions of this light.**

1. Use supplied cutout template on page 2 as a guide for properly cutting the opening in your panel.
2. Install the supplied gasket between the light and panel. Then mount the LED light using the hardware provided.
3. The LED350 comes with an 18 inch long cable, 18 AWG open leads. (Ensure the working voltage is 12/24 VDC and choose the corresponding 12/24 VDC relays.)

Power Requirements			
Model	Operating Voltage (12/24 VDC)	Watts	Amps (12/24 VDC)
LED300	9-36	20	1.6/0.8
LED310	9-36	35	2.9/1.4
LED320	9-36	35	2.9/1.4
LED330	9-36	26	2.2/1.1
LED340	9-36	78	6.5/3.2
LED350	10-30	18	1.4/0.7

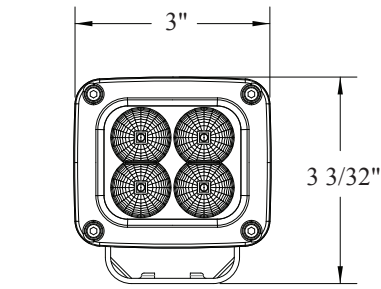
MAINTENANCE

Use a clean soft cloth, mild soap, and water to clean the lens.

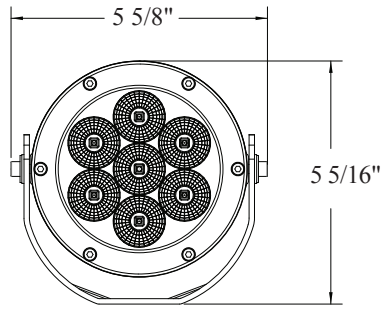
NOTE: FRC LED lampheads use Lexan lenses and cleaning with abrasive materials, solvents, or most chemical cleaners can cause lens surface degradation and reduced performance of the light. *Some chemicals will cause the lens to become brittle and prone to cracking.*

Install LED3XX LED Light

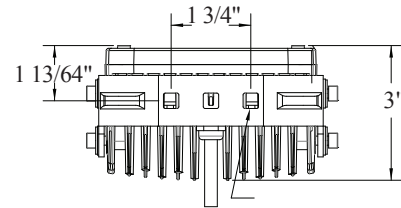
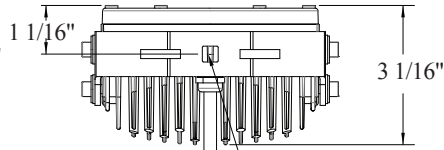
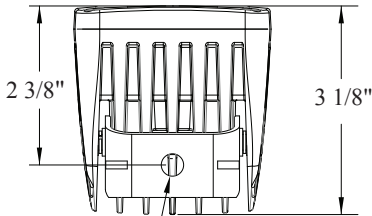
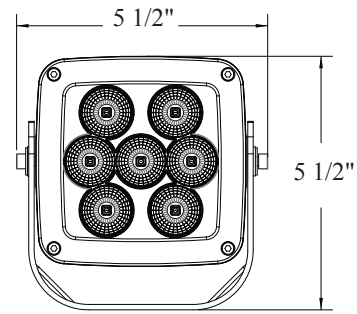
LED 300



LED 310



LED 320/LED 330*



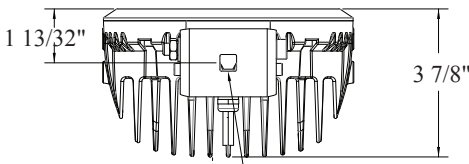
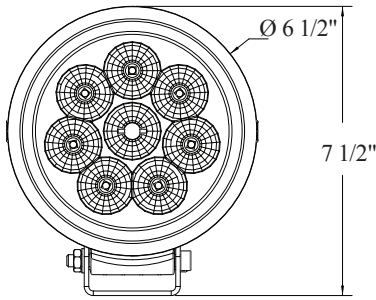
Ø 21/64" clearance hole for supplied M8 fastener

Ø 21/64" clearance hole for supplied M8 fastener

Ø 21/64" clearance hole for supplied M8 fastener(s)

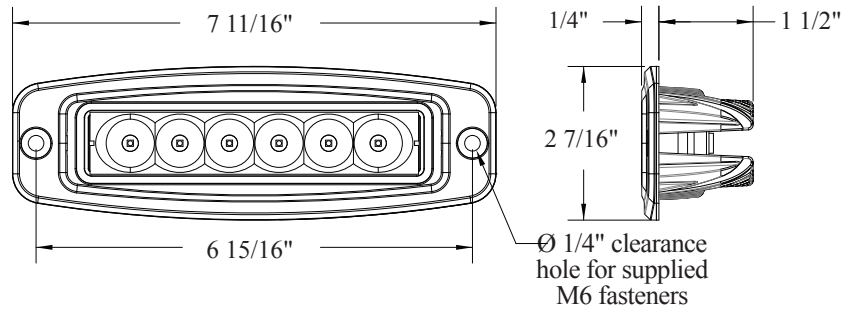
***NOTE:**
LED320 & LED330 have the same Mounting Dimensions

LED 340



Ø 13/32" clearance hole for supplied M10 fastener

LED 350



LED 350 CUTOUT TEMPLATE (1:1 SCALE)

