

## LIGHTING PRODUCTS



## MODELS 570, 580 PEDESTAL MOUNT

### INSTALLATION INSTRUCTIONS

Refer to the General Lighting manual or lamphead specific sheets for safety and maintenance.

#### Install Pedestal Mount Models 570, 580

When positioning a pedestal mount light, ensure that the lamphead will clear all obstructions.

1. Place the light in position to check for fit and freedom of operation.
2. Mark the footprint of the mounting flange/brackets.
3. Drill mounting holes.
4. Ensure that approved strain relief for the wiring is installed.
5. Secure the mounting flange/bracket. Use 5/16-18 or 1/4-20 SS hardware. Install a backing plate, if necessary, for a sturdy mounting.

#### Wiring

##### 12/24V DC

Connect the BLACK wire to GROUND.

Connect the RED (or WHITE) wire to POWER.

##### 120/240V AC

Connect the GREEN wire to chassis GROUND.

Connect the WHITE wire to RETURN.

Connect the BLACK wire to POWER.

#### **SPECTRA Max-S only**

##### 12/24 V DC

{ Connect the RED wire to POWER.  
Connect the BLACK wire to GROUND. } **SPOT**

{ Connect the ORANGE wire to POWER.  
Connect the BLACK wire to GROUND. } **FLOOD**

##### 120/240 V AC

Connect the GREEN wire to chassis GROUND.

{ Connect the WHITE wire to RETURN.  
Connect the RED wire to POWER. } **SPOT**

{ Connect the WHITE wire to RETURN.  
Connect the BLACK wire to POWER. } **FLOOD**



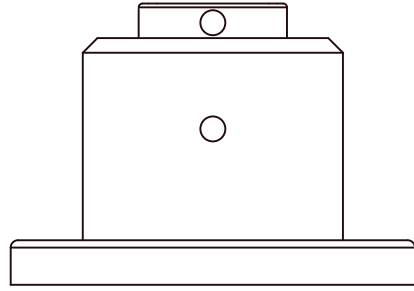
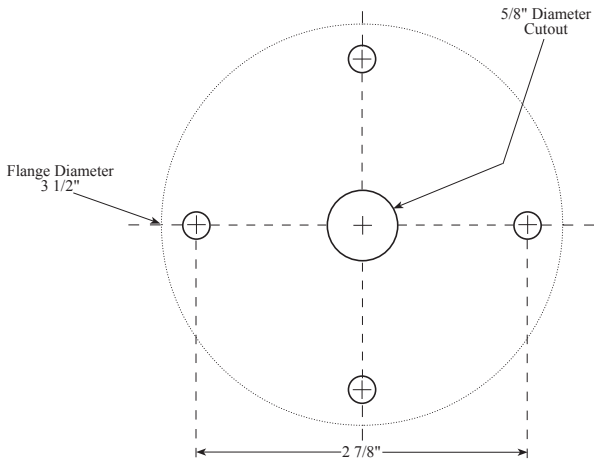
OPA570



FCA580

# Install Pedestal Mount

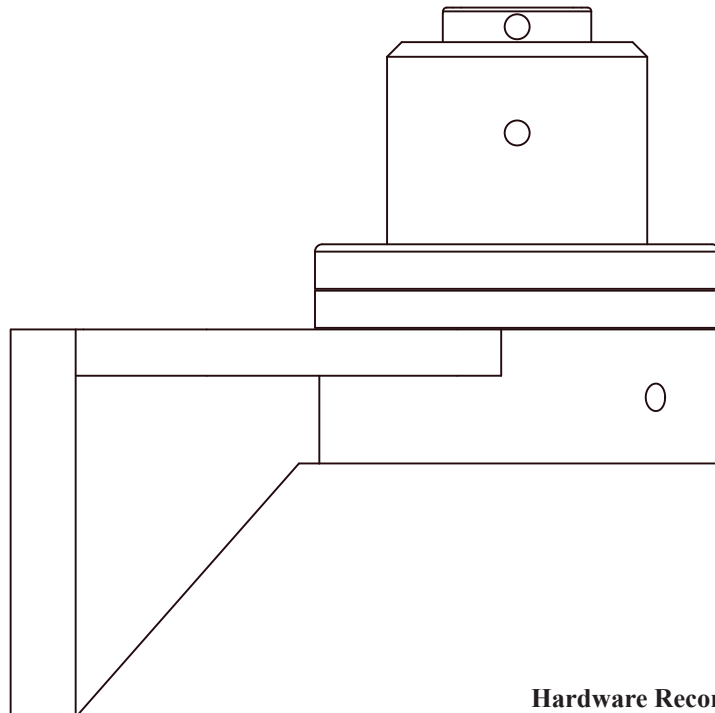
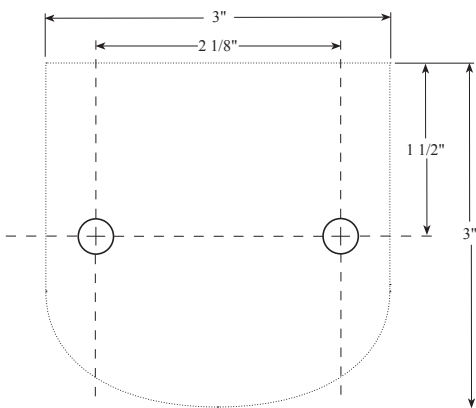
## 570 Pedestal Mount



**Hardware Recommendations**  
For 570 mounts:  
1/4-20 SS

Drawings may not be to scale.  
DO NOT USE AS A TEMPLATE

## 580 Side Mount Brackets



**Hardware Recommendations**  
For 580 mounts:  
5/16-18 SS

**Side Mount Bracket Footprint**  
The footprint is the same for all side mount and steady rest brackets.