

LIGHTING PRODUCTS



MODELS 800, 850, 300 BROW / AERIAL MOUNT

INSTALLATION INSTRUCTIONS

Refer to the General Lighting manual or lamphead specific sheets for safety and maintenance.

Install Brow/Aerial Mount Models 800, 850, 300

Before mounting check the identification label on the lamphead for specific voltage and current requirements. Check that the length of the wiring is correct.

Note: Before drilling holes, place the light in position to check for fit. Ensure that the lamphead will clear all obstructions.

1. Place the light in position.
2. Mark the mounting hole locations and through hole for the wiring. Use the lamphead and attached brackets as a template.
3. Drill the mounting holes. The mounting brackets are predrilled for 1/4-20 or 5/16-18 hardware.
4. For brow lights, place the four rubber washers in position at each mounting hole.
5. Secure the light.
6. **The cable must be terminated inside of a water tight enclosure.**
7. For under aerial mount, adjust the lamphead angle by loosening the nuts at the bracket pivot point, set at desired position and tighten nuts.

Wiring

12/24 VDC

Connect the BLACK wire to GROUND.

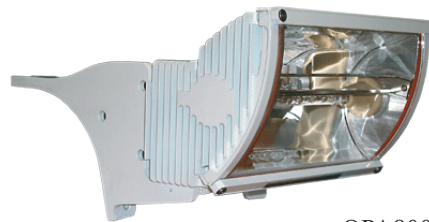
Connect the RED (or WHITE) wire to POWER.

120/240 VAC

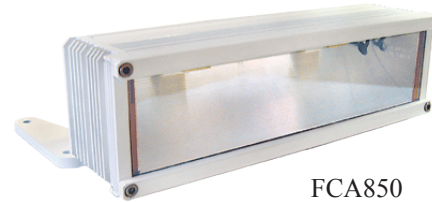
Connect the GREEN wire to chassis GROUND.

Connect the WHITE wire to RETURN.

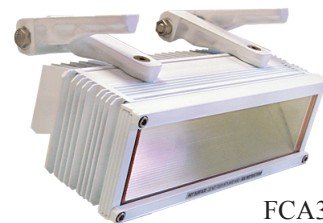
Connect the BLACK wire to POWER.



OPA800
Contour Brow
Mount



FCA850
Flat Brow
Mount



FCA300
Under Aerial
Mount

SPECTRA Max-S only

12/24 V DC

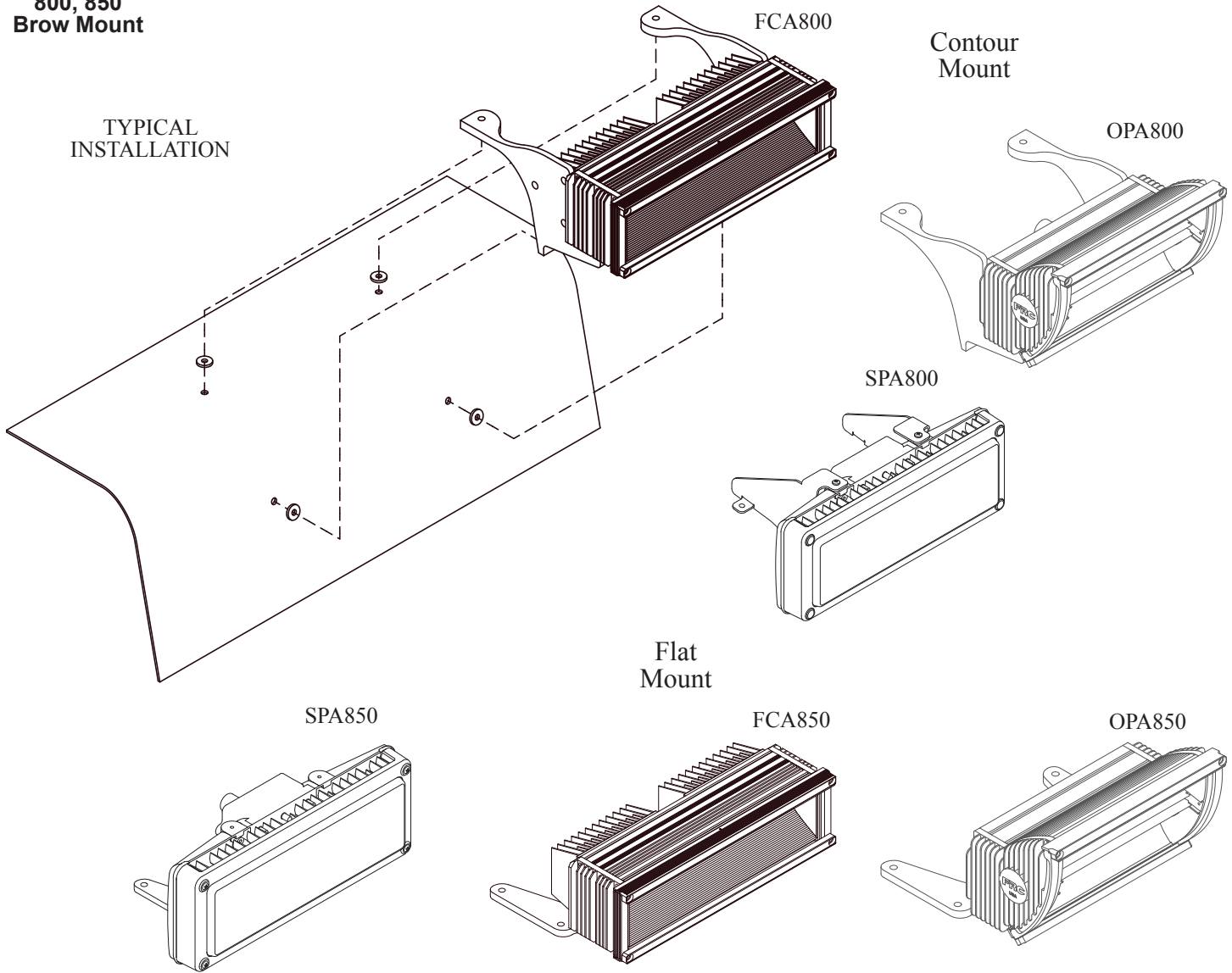
- | | |
|-------------------------------------|---------|
| { Connect the RED wire to POWER. | } SPOT |
| { Connect the BLACK wire to GROUND. | |
| { Connect the ORANGE wire to POWER. | } FLOOD |
| { Connect the BLACK wire to GROUND. | |

120/240 V AC

Connect the GREEN wire to chassis GROUND.

- | | |
|-------------------------------------|---------|
| { Connect the WHITE wire to RETURN. | } SPOT |
| { Connect the RED wire to POWER. | |
| { Connect the WHITE wire to RETURN. | } FLOOD |
| { Connect the BLACK wire to POWER. | |

**800, 850
Brow Mount**

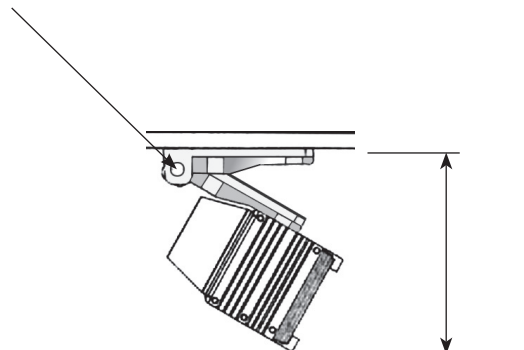


Note: It is best to use the lamphead and attached brackets as a template to mark mounting holes.

Hardware Recommendations
For 800, 850 mounts:
1/4-20 SS or 5/16-18 SS

**FCA300
Aerial Mount**

Adjust the lamphead angle by loosening the nuts at the bracket pivot point, set at desired position and tighten nuts.



Hardware Recommendations
For 300 mounts:
5/16-18 SS

Required Clearance	
Aimed directly forward	4 inches
Aimed at 30° downward	6.5 inches
Aimed at 45° downward	6.75 inches
Aimed directly down	7.5 inches

*Dimensions not valid for Evolution LED fixture.